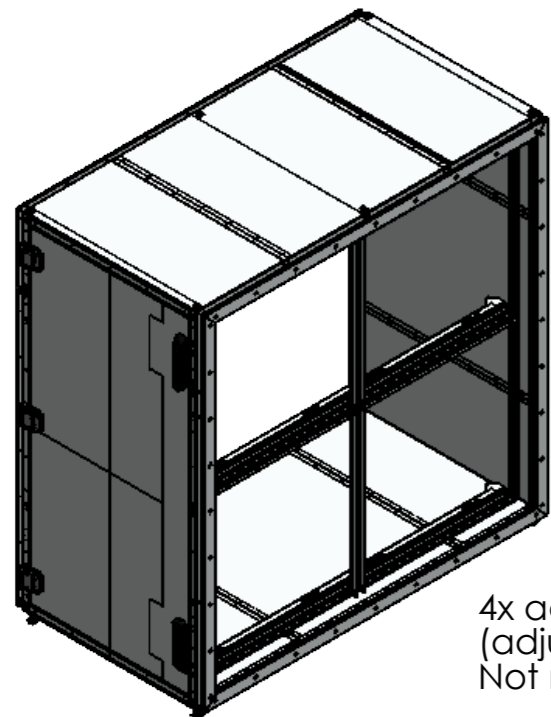
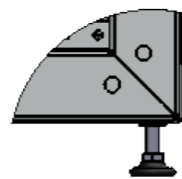


TYPE	EXTERNAL		FLANGE		HOLEPATTERN		
	B	H	B1	H1	A1	A2	C
0505	392	392	389	389	340	340	150
0510	392	692	389	689	340	640	150
1005	692	392	689	389	640	340	150
1010	692	692	689	689	640	640	150
1015	692	992	689	989	640	940	150
1020	692	1292	689	1289	640	1240	150
1025	692	1592	689	1589	640	1540	150
1030	692	1892	689	1889	640	1840	150
1510	992	692	989	689	940	640	150
1515	992	992	989	989	940	940	150
1520	992	1292	989	1289	940	1240	150
1525	992	1592	989	1589	940	1540	150
1530	992	1892	989	1889	940	1840	150
2010	1292	692	1289	689	1240	640	150
2015	1292	992	1289	989	1240	940	150
2020	1292	1292	1289	1289	1240	1240	150
2025	1292	1592	1289	1589	1240	1540	150
2030	1292	1892	1289	1889	1240	1840	150
2510	1592	692	1589	689	1540	640	150
2515	1592	992	1589	989	1540	940	150
2520	1592	1292	1589	1289	1540	1240	150
2525	1592	1592	1589	1589	1540	1540	150
2530	1592	1892	1589	1889	1540	1840	150
3010	1892	692	1889	689	1840	640	150
3015	1892	992	1889	989	1840	940	150
3020	1892	1292	1889	1289	1840	1240	150
3025	1892	1592	1889	1589	1840	1540	150
3030	1892	1892	1889	1889	1840	1840	150
							<b>D</b>
							Long
							Short
							700
							460



4x adjustable feet  
(adjustable 40-50mm)  
Not mounted at delivery

DETAIL A  
SCALE 1 : 5



2x pressure ports

DETAIL B  
SCALE 1 : 5



UNLESS OTHERWISE SPECIFIED:				DEBUR AND BREAK SHARP EDGES		DO NOT SCALE DRAWING		REVISION		A	
ACC. TO 3D CAD DIMENSIONS ARE IN MILLIMETERS											
	NAME	SIGNATURE	DATE							TITLE:	
DRAWN	isacsha		2018-06-14								
CHK'D											
APPV'D											
MFG											
Q.A				MATERIAL:				DWG NO.		A3	
								CamCube Flange Tabledrawing			
				WEIGHT:				SCALE:1:20		SHEET 1 OF 1	